



PHAZER™

**For Serial Nos.
790,000 & Higher**
Part No. 4500-461 Rev. A

Parts Manual

EXMARK PARTS PLUS

PARTS

OVERNIGHT
OR *FREE**

If your Exmark dealer does not have the Exmark part in stock, Exmark will get the parts to the dealer the next business day or the part will be FREE Guaranteed!! (Some restrictions apply. See your participating Exmark Dealer for details.)

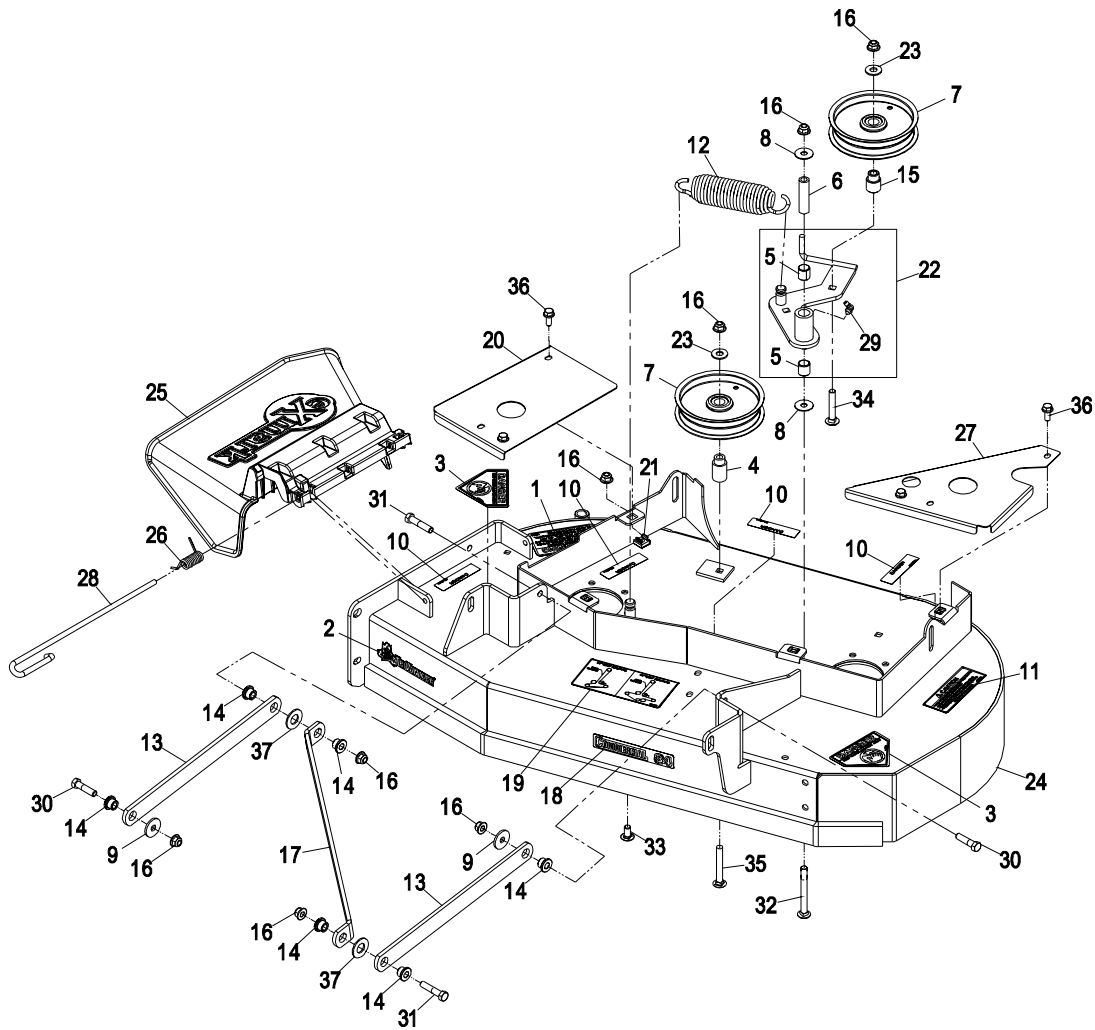


**READ OPERATOR'S MANUAL BEFORE
OPERATING OR SERVICING EXMARK EQUIPMENT**

TABLE OF CONTENTS

<u>Description</u>	<u>Page</u>
34" Deck Group	3-4
Decal Group	13
Electrical Diagram.....	15
Electrical Group	14
Electrical Logic Schematic	16
Engine Group	11
Frame Group	5-6
Fuel Group.....	10
Motion Control Group	7
Park Brake Group.....	8
Seat Group	9
Transaxle Group.....	12

34" DECK GROUP



Item	Part No.	Description	Qty.
1	1-303508	Decal, Discharge Warning.....	1
2	1-303520	Decal, Trivantage.....	1
3	1-403005	Decal, Danger.....	2
4	1-413113	Bushing, Idler.....	1
5	1-513034	Sleeve, Bearing.....	2
6	1-603384	Bushing, Idler Pivot.....	1
7	1-613098	Idler, Flat.....	2
8	52-2860	Washer.....	2
9	63-8410	Washer.....	2
10	98-5954	Decal-Danger.....	4
11	103-1077	Decal, Bolt Torque.....	1
12	103-3330	Spring, Extension.....	1
13	103-3898	Flat, Strut.....	2
14	103-3900	Spacer, Strut.....	6
15	103-9948	Bushing, Idler.....	1
16	104-8301	Nut, Nyloc 3/8-16 Flg.....	8
17	109-0381	Brace, Deck Linkage.....	1
18	109-2462	Decal, Commercial 34.....	1
19	109-2465	Decal, Belt Routing.....	1

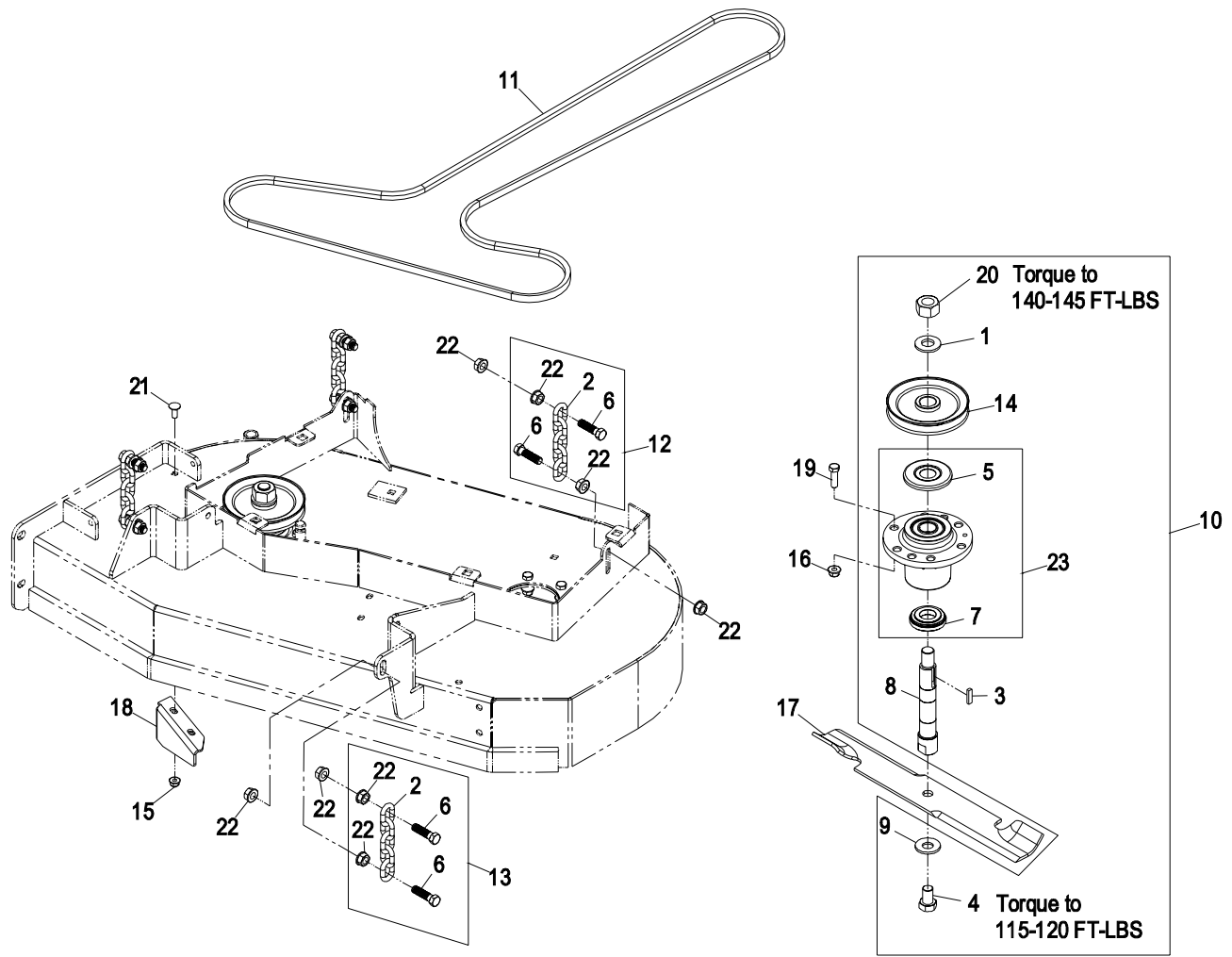
Item	Part No.	Description	Qty.
20	109-3086-01	Cover, RH Spindle.....	1
21	109-3100	Nut, Cage 5/16.....	4
22	109-3891	Asm, Idler Arm W/Bearings.....	1
23	3256-4	Washer, 3/8 Std.....	2
24■	109-9467	Asm, Deck W/Decals.....	1
25	109-5150	Chute, Discharge.....	1
26	109-6886	Spring, Torsion.....	1
27	109-9441-01	Cover, Left Spindle.....	1
28	109-9461	Pin, Chute.....	1
29	302-40	Zerk, 90° 1/4-28.....	1
30	323-8	Screw, HH 3/8-16 x 1 1/2.....	2
31	323-9	Screw, HH 3/8-16 x 1 3/4.....	2
32	3231-11	Bolt, Carriage 3/8-16 x 3 1/2.....	1
33	3231-21	Bolt, Carriage 3/8-16 x 3/4.....	1
34	3231-7	Bolt, Carriage 3/8-16 x 2 1/4.....	1
35	3231-9	Bolt, Carriage 3/8-16 x 2 3/4.....	1
36	3234-47	Screw, HH FLG 5/16-18 x 3/4.....	4
37	3256-27	Washer, 5/8 SAE.....	2
38▲	109-9473	Asm, Deck Complete.....	1

Exmark red touch up paint (spray paint - P/N 1-850337 - .6 oz liquid bottle - P/N 103-9140).

▲ Includes all item shown on pages 3 & 4. Does not include struts or strut hardware.

■ Includes items 25, 26, & 28.

34" DECK GROUP (cont)



Item	Part No.	Description	Qty.
1	1-513208	Washer, Spring Disc 5/8.....	2
2	1-633447	Chain, Deck Lift.....	4
3	1-807268	Key, Machine 1/4 x 3/16 x 1	2
4	103-1026	Screw, HH 5/8-11 x 1 Gr 8	2
5+	103-1330	Guard, Bearing Top.....	2
6	103-1898	Screw, HH 7/16-20 x 1-5/8 Sp.....	8
7	103-2535	Spacer, Guard Bottom	2
8+	103-2788	Spindle.....	2
9	103-2802	Washer, Spring Disc 3/4.....	2
10	109-3522	Asm, Cutter Housing Complete.....	2
11	103-9366	Belt, Blade	1
12	103-9792	Asm, Chain Deck	1
13	103-9817	Asm, Chain Deck	3

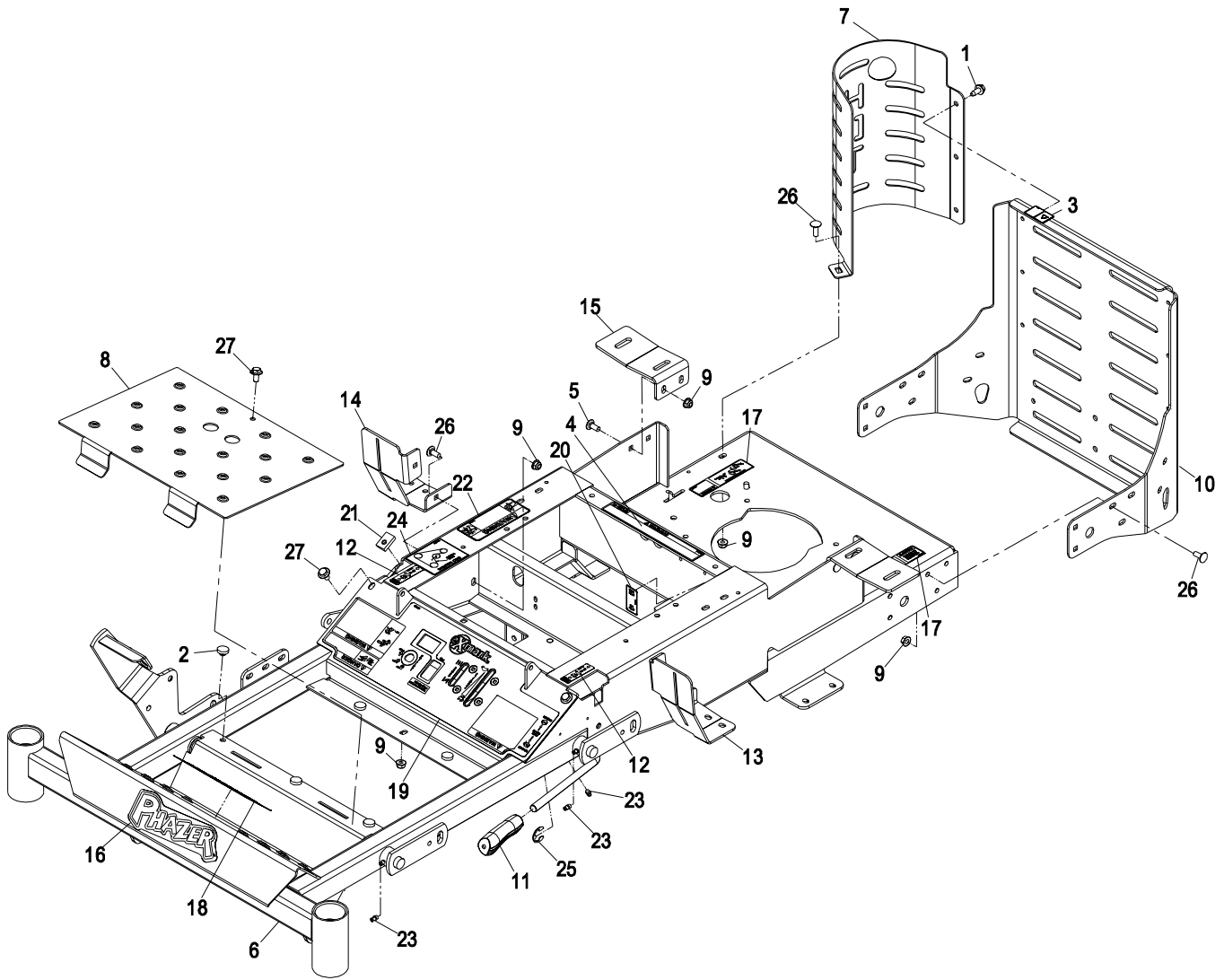
Item	Part No.	Description	Qty.
14+	103-9953	Sheave, Blade Drive	2
15	104-8300	Nut, Nyloc 5/16-18 Flg	2
16	104-8301	Nut, Nyloc 3/8-16 Flg	12
17	109-2548	Blade, 17.5 Standard	2
	109-2551	Blade, Low lift	2
■	109-3129	Blade, Mulch	2
	109-2549	Blade, Solid	2
18	109-2610-01	Baffle, Discharge	1
19	323-7	Screw, HH 3/8-16 x 1 1/4.....	12
20★	3217-46	Nut, Hex 3/4-16 Heavy.....	2
21	3230-23	Bolt, Carriage 5/16-18 x 3/4, short neck	2
22	32128-37	Nut, Whizlock 7/16-14.....	16
23	103-8280	Kit, Cutter Housing.....	2

Exmark red touch up paint (spray paint - P/N 1-850337 - .6 oz liquid bottle - P/N 103-9140).

Anti-scalp kit P/N AS34 is available for this unit.

- ✚ Apply Mobil HTS grease (P/N 103-5217 1.5 oz packet) (or a food-grade anti-seize) between the spindles & bearings and spindles & sheaves and under top bearing guard. DO NOT use a copper or nickel based anti-seize.
- Requires installation of Micro-Mulch accessory for proper mulching. Mulch kit P/N MK343.
- ★ Use Pro-Lock, Nut Type (P/N 1-840022, .5ml tube) on nut.

FRAME GROUP

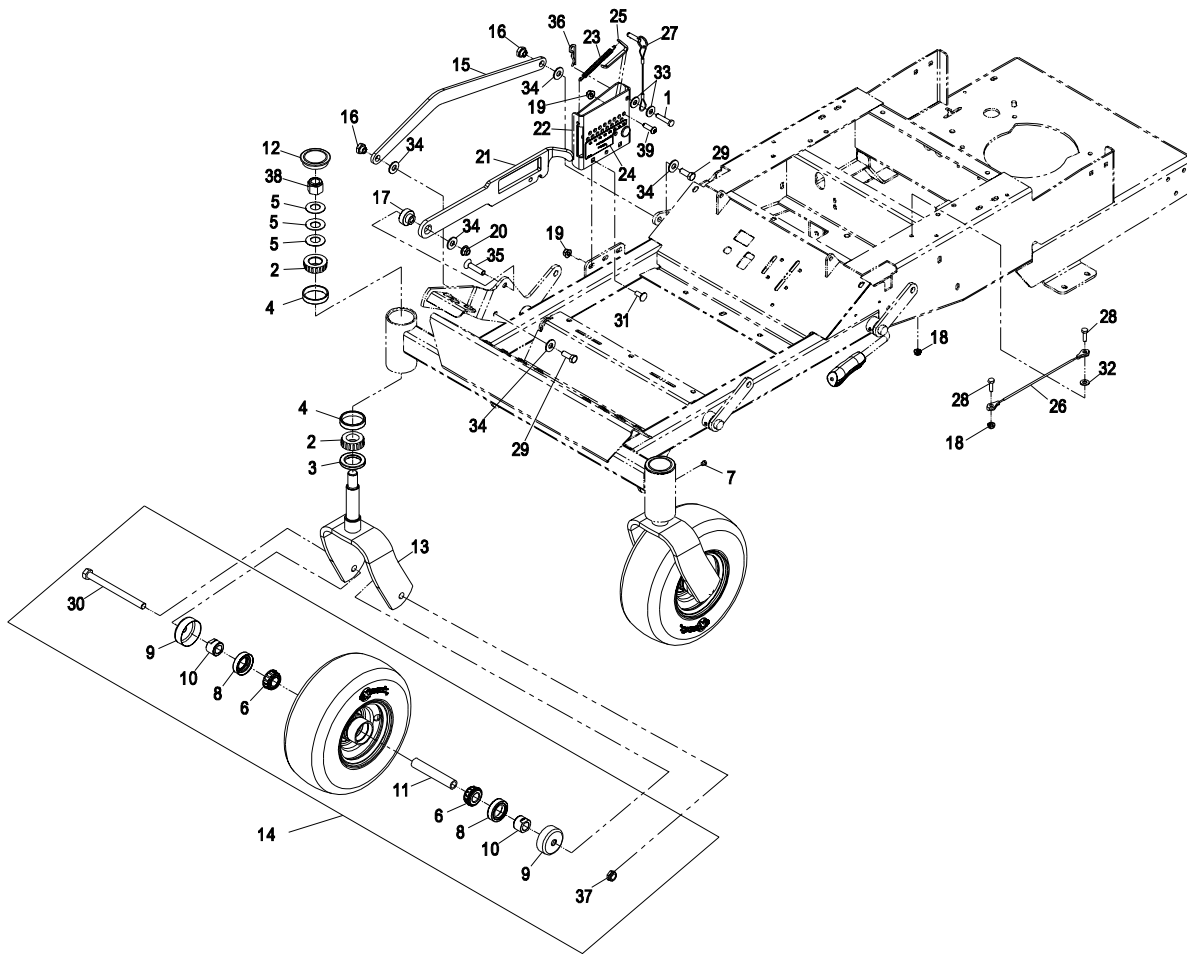


Item	Part No.	Description	Qty.
1	32144-70	Screw, HWH 5/16-18 x 3/4 TF.....	3
2	1-513658	Bumper.....	5
3	93-8069	Decal, Hot Surface.....	1
4	1-513747	Decal, Battery.....	1
5	3230-16	Bolt, Carriage 5/16-18 x 7/8.....	4
6	109-3125	Asm, Frame W/Decals.....	1
7	116-0201-03	Guard, Muffer.....	1
8	103-9381-01	Plate, Floor.....	1
9	104-8300	Nut, Nyloc 5/16-18 Flg.....	18
10	114-0543	Asm, Rear Guard W/Decal.....	1
11	109-0375	Grip, Brake Lever.....	1
12	109-2356	Decal, Motion Control.....	2
13	109-2421-03	Bracket, LH Fuel Tank.....	1
14	109-2422-03	Bracket, RH Fuel Tank.....	1

Item	Part No.	Description	Qty.
15	109-2429-03	Bracket, Rear Fuel Tank.....	2
16	109-2466	Decal, Phazer.....	1
17	109-2467	Decal, Drive Wheel Release.....	2
18	109-2490	Decal, Danger Slope.....	1
19	109-2494	Decal, Console.....	1
20	109-2539	Decal, Relay.....	1
21	109-2605	Stop, Motion Control.....	2
22	109-2862	Decal, Rotating Devices.....	1
23	302-19	Zerk, 1/4-28 Str.....	5
24	109-2992	Decal, Pump Belt Routing.....	1
25	32151-48	E-Ring.....	1
26	3230-23	Bolt, Carriage 5/16-18 x 3/4.....	13
27	3234-7	Screw, HH FLG 5/16-18 x 5/8.....	3

Exmark black touch up spray paint – gloss black.

FRAME GROUP (cont.)



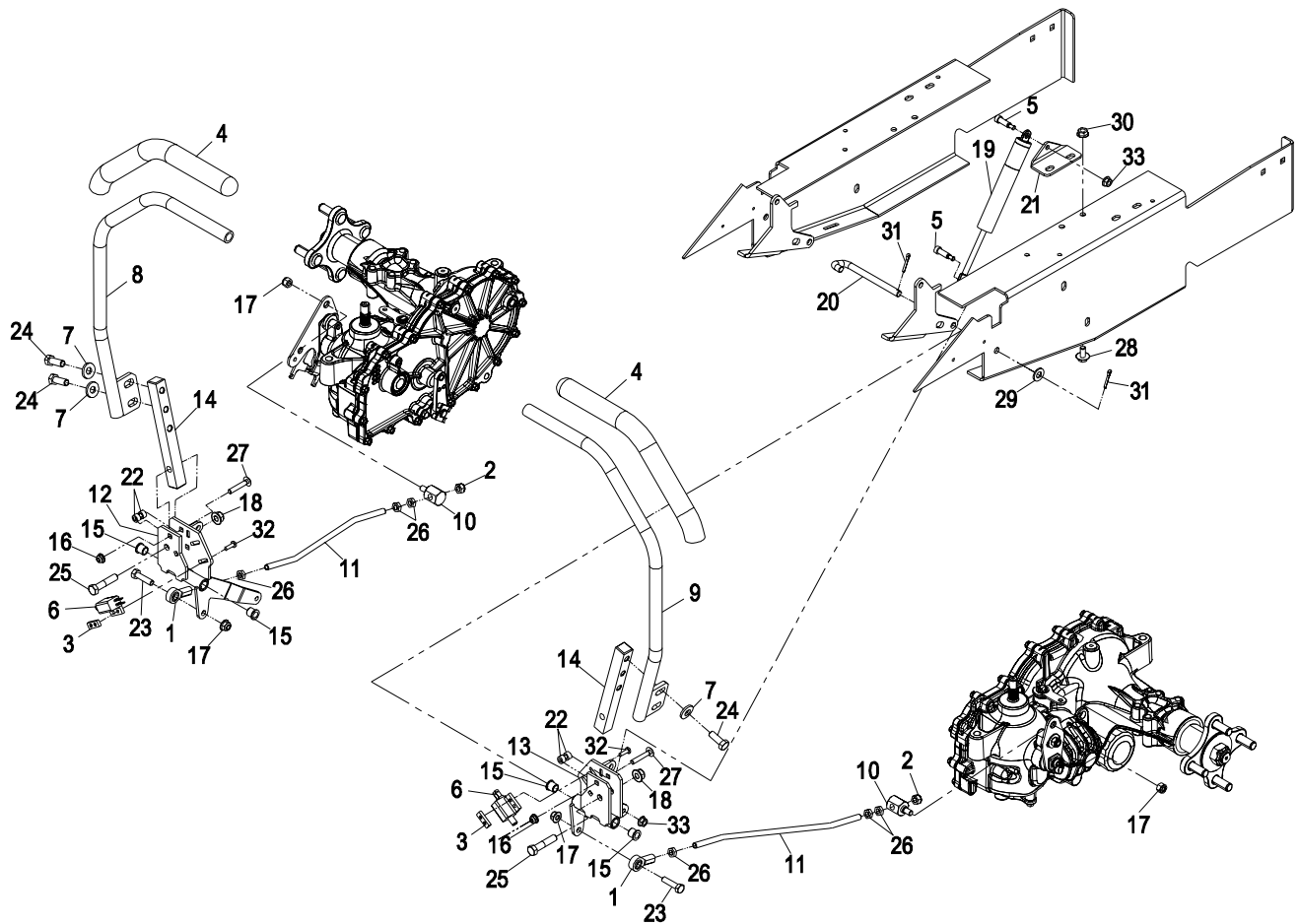
Item	Part No.	Description	Qty.
1	283-6	Pin, Clevis 5/16 x 1 1/4	1
2	1-543509	Cone, Bearing Tapered Roller	4
3	1-543511	Seal, Grease	2
4	1-543508	Cup, Bearing Tapered Roller	4
5	1-633508	Washer, Spring Disc	6
6	1-633585	Bearing, Cone Tapered Roller	4
7	1-811010	Plug	2
8	103-0063	Seal, Double Lip	4
9	103-2768	Guard, Seal	4
10+	103-3051	Spacer, Nut	4
11	103-3157	Axle, Caster	2
12	103-4882	Cap, Grease	2
13	103-8618-01	Wld, Caster Fork	2
14	112-3810	Asm, Wheel And Bearings	2
15	103-9932	Link, Deck Control	1
16	103-9933	Nut, Shoulder	2
17	103-9934	Bushing	1
18	104-7201	Nut, Nyloc 1/4-20 Flg	2
19	104-8300	Nut, Nyloc 5/16-18 Flg	3
20	104-8301	Nut, Nyloc 3/8-16 Flg	1

Item	Part No.	Description	Qty.
21	116-0199	Bar, Height Adjust	1
22	109-3544	Asm, Height Adjust W/Decal	1
23	109-2416	Spring, Extension	1
24	109-2463	Decal, Deck Height	1
25	109-2620	Pawl, Height Control	1
26	109-2628	Cable	1
27	109-3323	Asm, Height Pin W/Lanyard	1
28	321-5	Screw, HH 1/4-20 x 7/8	2
29	323-6	Screw, HH 3/8-16 x 1	2
30	325-20	Screw, HH 1/2-13 x 6	2
31	3230-23	Bolt, Carriage 5/16-18 x 3/4	2
32	3256-23	Washer, 5/16 SAE	1
33	1-303334	Washer, Spring Disc 5/16	2
34	63-8410	Washer	5
35	3289-19	Screw, Flat HD 3/8-16 x 1 3/4	1
36	1-806003	Hairpin, Cotter	1
37	3296-45	Nut, Nyloc 1/2-13 Thin	2
38	3296-51	Nut, Nyloc 3/4-10	2
39	3274-104	Screw, Button Head 5/16-18 x 1	1

Exmark red touch up paint (spray paint - P/N 1-850337 - .6 oz liquid bottle - P/N 103-9140).

+ Use Pro-Lock, Nut Type (P/N 1-840022, .5ml tube) on spacer nut Item #10.

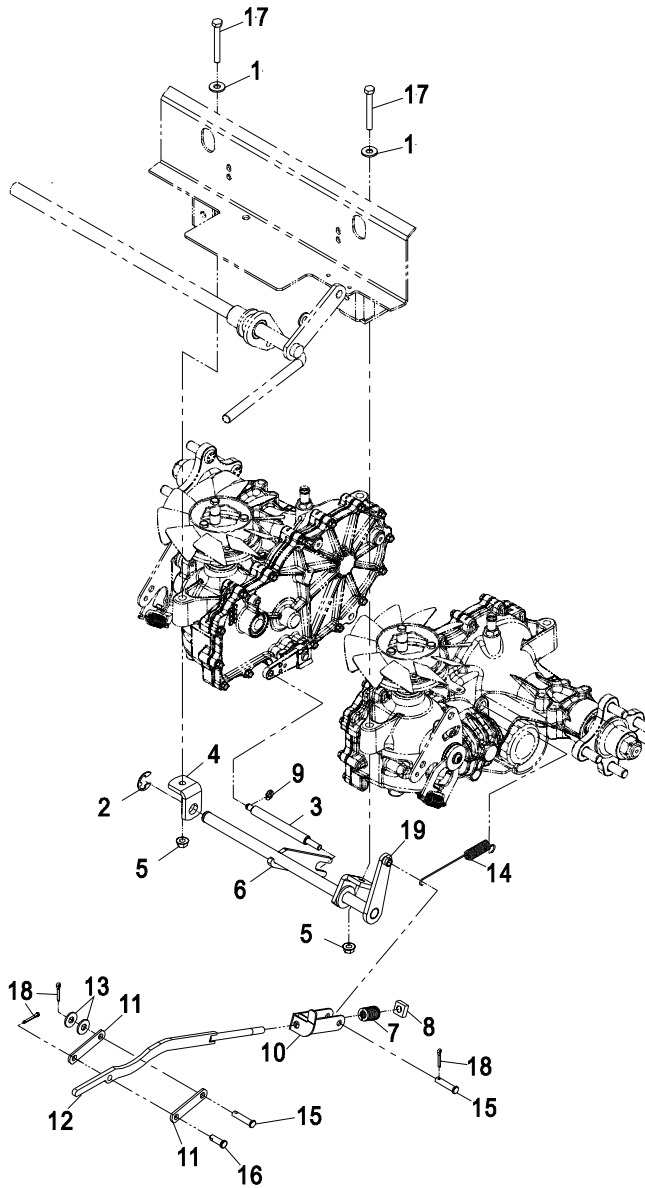
MOTION CONTROL GROUP



Item	Part No.	Description	Qty.
1	1-543017	Balljoint.....	2
2	3296-4	Nut, Esna 5/16-24.....	2
3	1-633181	Plate, Tapped.....	2
4	1-633257	Grip, Control Lever.....	2
5	1-809057	Screw, SH 5/16-18 x 3/4.....	4
6	65-7410	Switch.....	2
7	98-5975	Washer, Spring Disc 3/8.....	4
8	103-9367	Asm, Lever Control (RH) W/Grip.....	1
9	103-9368	Asm, Lever Control (LH) W/Grip.....	1
10	103-9373	Trunnion.....	2
11	103-9407	Rod, Steering.....	2
12	103-9411	Wld, Steering Control (RH).....	1
13	103-9413	Wld, Steering Control (LH).....	1
14	103-9414	Post, Lever Mount.....	2
15	103-9928	Bearing.....	4
16	104-7201	Nut, Nyloc 1/4-20 Flg.....	4
17	104-8300	Nut, Nyloc 5/16-18 Flg.....	4

Item	Part No.	Description	Qty.
18	104-8301	Nut, Nyloc 3/8-16 Flg.....	2
19	109-2339	Damper, Motion Control.....	2
20	109-2423	Shaft, Control Pivot.....	2
21	109-2428	Bracket, Damper Mount.....	2
22	1-633545	Spacer.....	4
23	322-6	Screw, HH 5/16-18 x 1 1/4.....	2
24	323-6	Screw, HH 3/8-16 x 1.....	4
25	323-9	Screw, HH 3/8-16 x 1 3/4.....	2
26	3220-2	Nut, Jam 5/16-24.....	6
27	3229-4	Bolt, Carriage 1/4-20 x 1 1/2.....	4
28	3234-7	Screw, HH FLG 5/16-18 x 5/8.....	4
29	3256-24	Washer, 3/8 SAE.....	2
30	32128-20	Nut, Whizlock 5/16-18.....	4
31	3272-10	Pin, Cotter 1/8 x 3/4.....	2
32	3290-500	Screw, PPH #10-24 x 5/8.....	4
33	32128-33	Nut, Whizlock 1/4-20.....	4

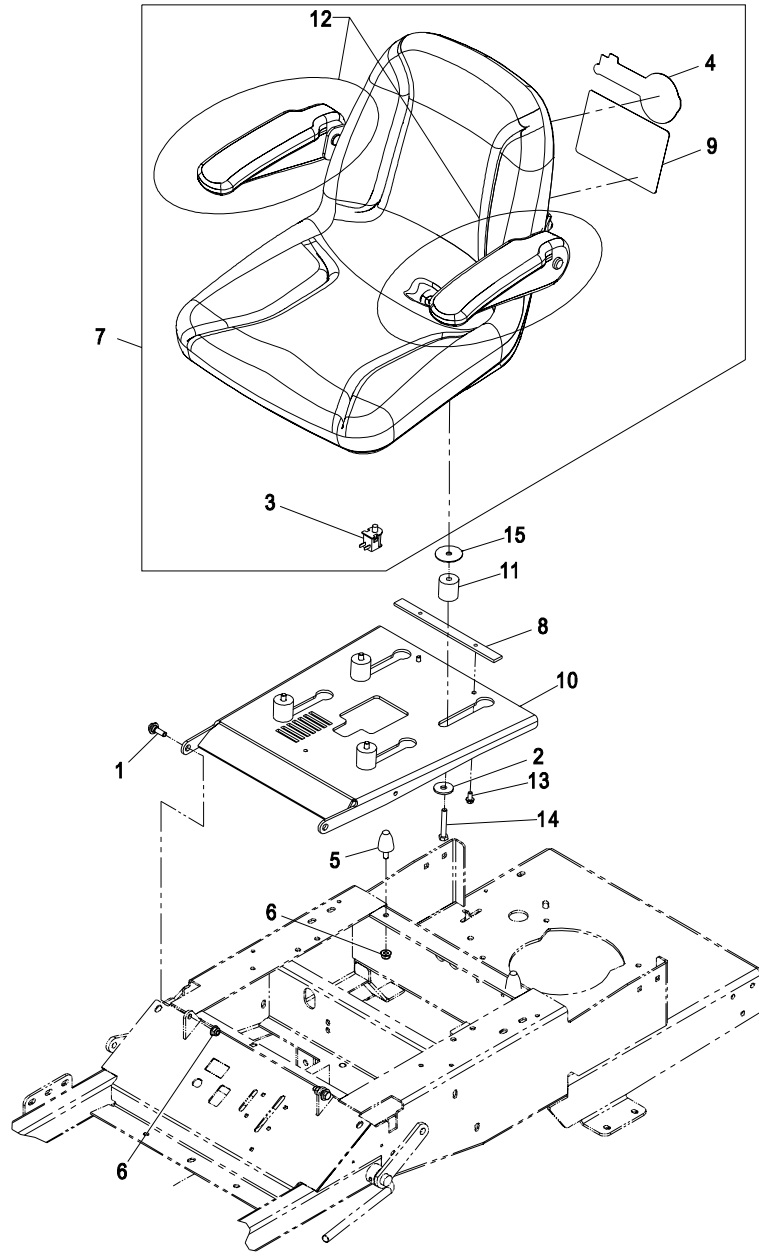
PARK BRAKE GROUP



Item	Part No.	Description	Qty.
1	3256-3	Washer, 5/16 Std	2
2	32120-19	E-Ring.....	1
3	103-9408	Bar, Equalizer	1
4	103-9409	Bracket ,Brake Pivot.....	1
5	104-8300	Nut, Nyloc 5/16-18 Flg	2
6	109-5376	Wld, Brake Bellcrank.....	1
7	103-9925	Spring, Brake	1
8	103-9926	Nut, Square.....	1
9	32120-35	E-Ring.....	1
10	114-0548	Wld, Brake Clevis.....	1

Item	Part No.	Description	Qty.
11	109-0223	Link, Over Center.....	2
12	109-5370	Wld, Brake Link.....	1
13	3256-23	Washer, 5/16 SAE	2
14	109-2861	Spring, Extension.....	1
15	283-6	Pin, Clevis 5/16 X 1 1/4.....	2
16	283-75	Pin, Clevis 5/16 X 3/4.....	1
17	322-12	Screw, HH 5/16-18 x 2 1/2.....	2
18	3272-10	Pin, Cotter 1/8 x 3/4	3
19	1-633545	Spacer	1

SEAT GROUP

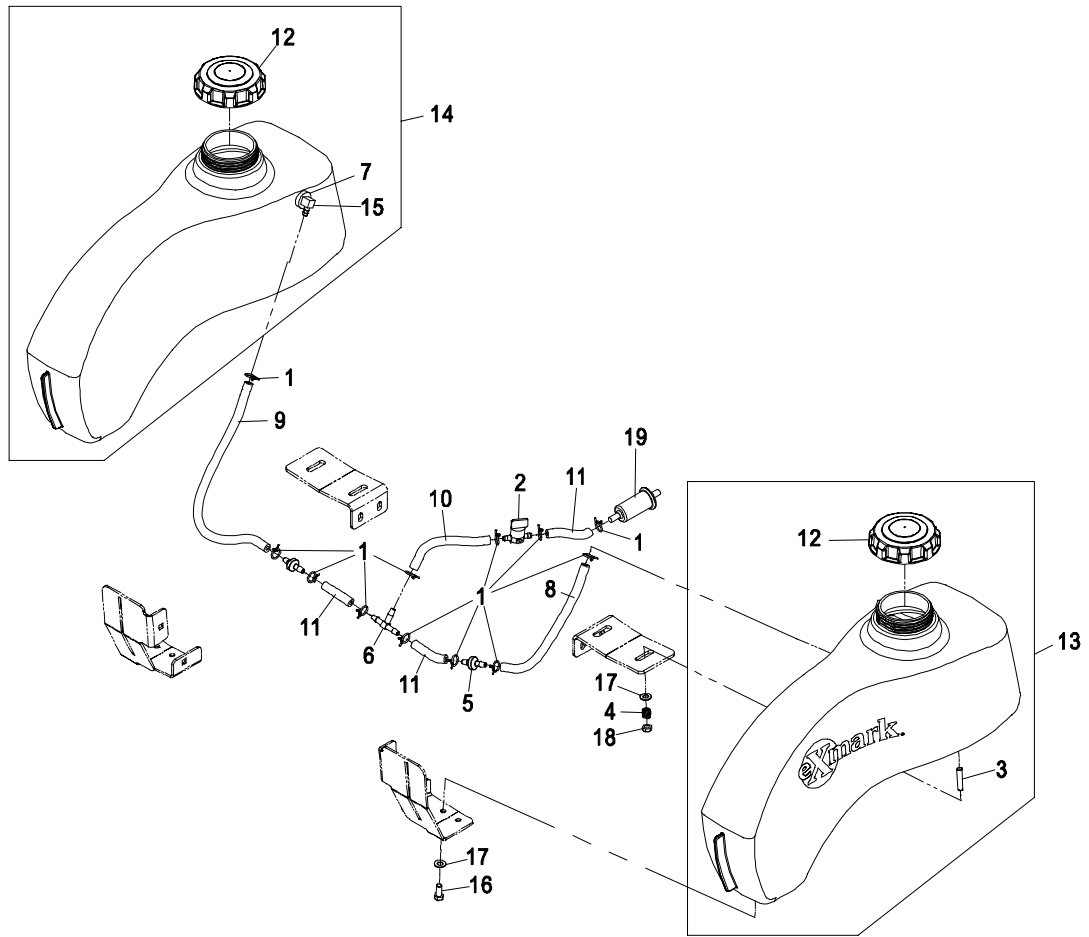


Item	Part No.	Description	Qty.
1	27-0410	Screw, Shoulder 5/16-18 x 1 Sp.....	2
2	63-8410	Washer	4
3	82-2190	Switch	1
4	103-3999	Decal, Exmark Logo.....	1
5	103-9376	Bumper, Seat.....	2
6	104-8300	Nut, Nyloc 5/16-18 Flg	4
7	109-3128	Asm, Seat W/Decals	1
8	109-2427-03	Bar, Seat Stop.....	1

Item	Part No.	Description	Qty.
9	116-0950	Decal, Service Aid	1
10	109-2607-03	Bracket, Seat.....	1
11	109-2608	Spacer	4
12	108-6163	Kit, Armrest.....	1
13	32144-4	Screw, HWH 1/2-20 x 1/2 Taptite.....	2
14	322-10	Screw, HH 5/16-18 x 2.....	4
15	1-653036	Washer.....	4

Exmark black touch up spray paint – gloss black.

FUEL GROUP



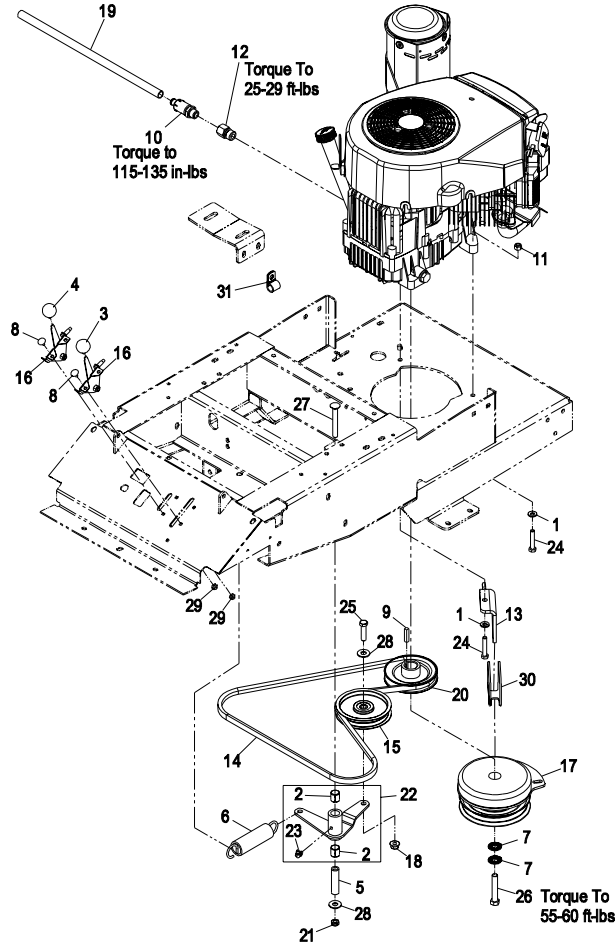
Item	Part No.	Description	Qty.
1	1-303077	Clamp, Fuel Line.....	12
2	1-603770	Valve, Fuel.....	1
3◇	1-633023	Stud, Fuel Tank.....	4
4	1-633349	Spring	4
5	99-5000	Valve, Fuel Check.....	2
6	99-5005	Fitting, Barbed Tee.....	1
7	104-7789	Bushing.....	2
8	107-7684	Hose, Fuel Line 11".....	1
9	108-4582	Hose, Fuel Line 21".....	1
10	109-0293	Hose, Fuel Line 8 1/2".....	1

Item	Part No.	Description	Qty.
11	109-0304	Hose, Fuel Line 2 1/2".....	3
12	109-0346	Cap, Fuel.....	2
13	109-3124	Asm, Fuel Tank (LH).....	1
14	109-3123	Asm, Fuel Tank (RH).....	1
15	109-2420	Fitting, Fuel W/Line And Screen.....	2
16	322-3	Screw, HH 5/16-18 x 3/4.....	2
17	3256-23	Washer, 5/16 SAE	6
18	3296-47	Nut, Nyloc 5/16-18 Thin	4
19◆	Kawasaki	Part No. 49019-7001 Fuel Filter.....	1

◆ Refer to Engine Owner's manual. (Fuel filter **Must** be 15 Micron or smaller).

◇ Use Pro-Lock, Retaining Type (P/N 1-840023, .5ml tube) on stud threads, item #3 going into tanks.

ENGINE GROUP



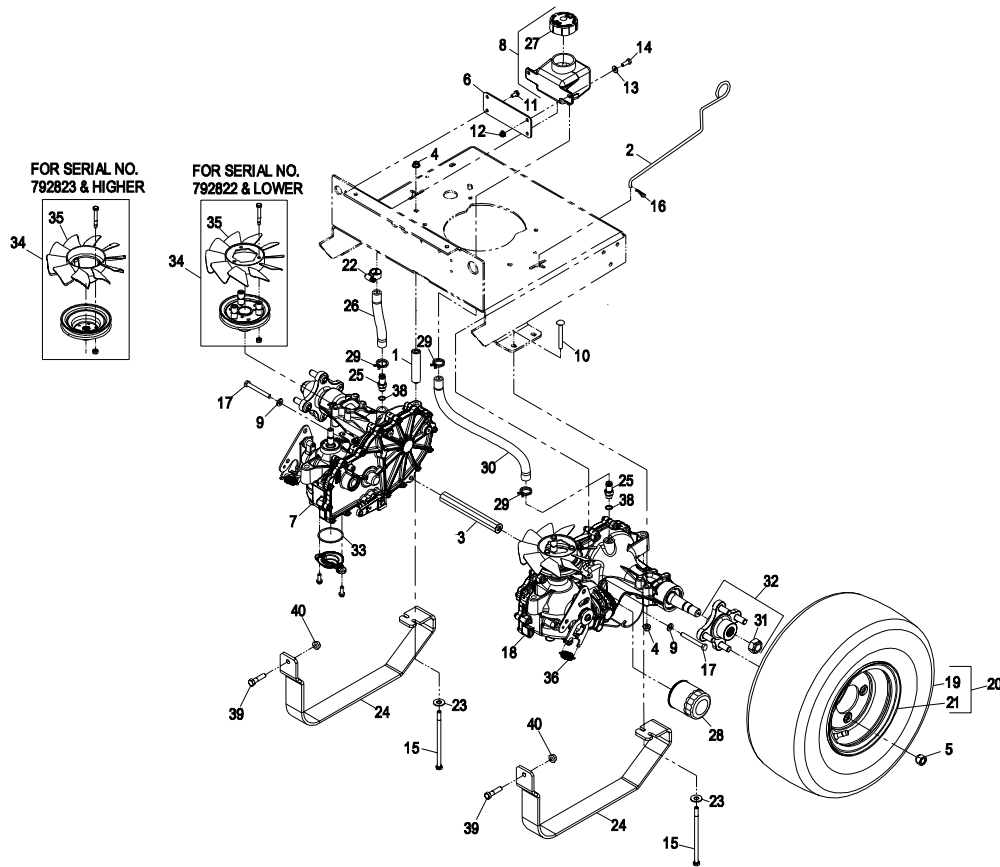
Item	Part No.	Description	Qty.
1	1-303334	Washer, Spring Disc 5/16.....	4
2	1-513034	Sleeve, Bearing.....	2
3	1-513592	Knob, Ball Red.....	1
4	1-513593	Knob, Ball Black.....	1
5	1-603384	Bushing, Idler Pivot.....	1
6	1-603414	Spring, Extension.....	1
7	1-603610	Washer, Spring Disc 7/16.....	2
8	1-807513	Bolt, Carriage #10-24 x 1/2.....	4
9	13-2840	Key, Machine 1/4 x 1/4 x 1 1/4.....	1
10▼	92-6877	Valve, Oil Drain.....	1
11	3296-29	Nut, Nyloc 5/16-18.....	4
12▼	103-1966	Adapter.....	1
13	103-9356-03	Stop, Clutch Rotation.....	1
14	112-3823	Belt, Hydro.....	1
15	103-9401	Pulley, Idler.....	1
16	103-9946	Asm, Throttle Control.....	2

Item	Part No.	Description	Qty.
17	103-9950	Clutch.....	1
18	104-8301	Nut, Nyloc 3/8-16 Fig.....	1
19■	106-7022	Hose, Oil Drain.....	1
20	109-0393	Sheave.....	1
21	3296-59	Nut, Nyloc 3/8-16 Thin.....	1
22	109-3119	Asm, Idler Arm W/Bearings.....	1
23	302-40	Zerk, 90° 1/4-28.....	1
24	322-9	Screw, HH 5/16-18 x 1 3/4.....	4
25	323-8	Screw, HH 3/8-16 x 1 1/2.....	1
26◆	3212-10	Screw, HH 7/16-20 x 2 1/2.....	1
27	3231-10	Bolt, Carriage 3/8-16 x 3.....	1
28	3256-4	Washer, 3/8 Std.....	2
29	3296-2	Nut, Nyloc #10-24.....	4
30	109-3765	Bumper.....	1
31*	1-603727	Clip, Loom.....	1

Exmark black touch up spray paint – gloss black.

- ▼ Use a Teflon Pipe Sealant or equivalent on threads.
- ◆ Use Pro-Lock, Nut Type (P/N 1-840022, .5ml tube) on clutch bolt.
- Supplied in literature pack.
- * Route throttle and choke cables through clip.

TRANSAXLE GROUP



Item	Part No.	Description	Qty.
1	103-9397	Spacer, Hydro	2
2	103-9380	Rod, Hydro Bypass	2
3	103-9398	Spacer, Axle	1
4	104-8300	Nut, Nyloc 5/16-18 Flg	6
5	242-50	Nut, Lug 1/2-20	8
6	103-9350-03	Plate, Tank Mount	1
7✱	116-1204	Asm, Transaxle (RH).....	1
8	109-2250	Tank, Hydraulic	1
9	98-5975	Washer, Spring Disc 3/8.....	2
10	3230-9	Bolt, Carriage 5/16-18 x 2 3/4.....	4
11	32144-4	Screw, HWH 1/2-20 x 1/2 Taptite	2
12	104-7201	Nut, Nyloc 1/4-20 Flg	2
13	3256-22	Washer, 1/4 SAE	2
14	321-4	Screw, HH 1/4-20 x 3/4	2
15	1-800286	Screw, HH 5/16-18 x 6	2
16	1-806003	Hairpin, Cotter.....	2
17●	323-11	Screw, HH 3/8-16 x 2 1/4	2
18✱	116-1205	Asm, Transaxle (LH)	1
19	109-2594	Tire, 18 x 7.00-8 4 Ply	2
20	109-2595	Asm, Wheel & Tire	2
21	109-2596	Wheel	2

Item	Part No.	Description	Qty.
22	109-6801	Clamp, Hose	1
23	3256-3	Washer	2
24	114-0469-03	Guard, Transmission.....	1
25	109-3278	Adapter, Straight.....	2
26	109-3319	Hose, Hydraulic	1
27	109-3320	Cap, Hydraulic Reservoir	1
28	109-3321	Filter, Hydraulic.....	1
29	109-3322	Clamp, Hose.....	3
30	109-3459	Hose, Hydraulic	1
31	109-3536	Nut, Hub	2
32	109-3538	Kit, Hub.....	2
33	109-3540	O-Ring, Charge Cover Seal	2
34■	116-0172	Kit, Fan And Pulley	2
◆	116-1207	Kit, Fan And Pulley	2
35■	116-0173	Fan, 7"-10 Blade	2
◆	116-1206	Fan, 7"-10 Blade	2
36	109-2631	Spring, Extension.....	2
37▲	109-3537	Kit, Seal	2
38	1-603921	O-Ring, SAE #6	2
39	323-8	Screw, HH 3/8-16 x 1 1/2.....	2
40	3290-357	Nut, Whizlock 3/8-16.....	2

Exmark black touch up spray paint – gloss black.

✱ LH and RH transmission comes complete with items #28, #31, #32, #33, #34, #35, #36, & #37

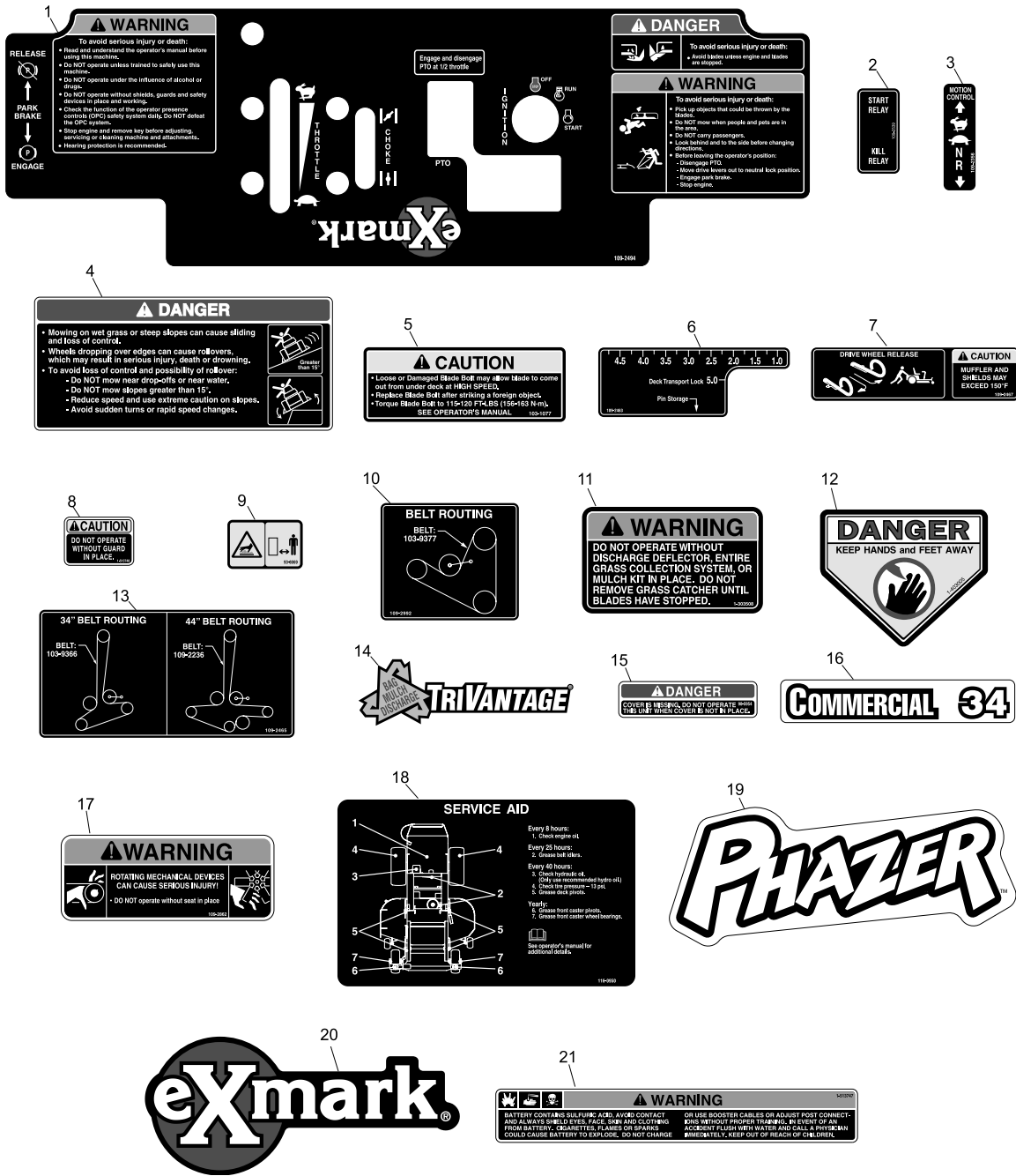
● Use Pro-Lock, Nut type (P/N 1-840022, .5ml tube) screw.

▲ Item not shown

■ For Serial No. 792822 & Lower.

◆ For Serial No. 792823 & Higher.

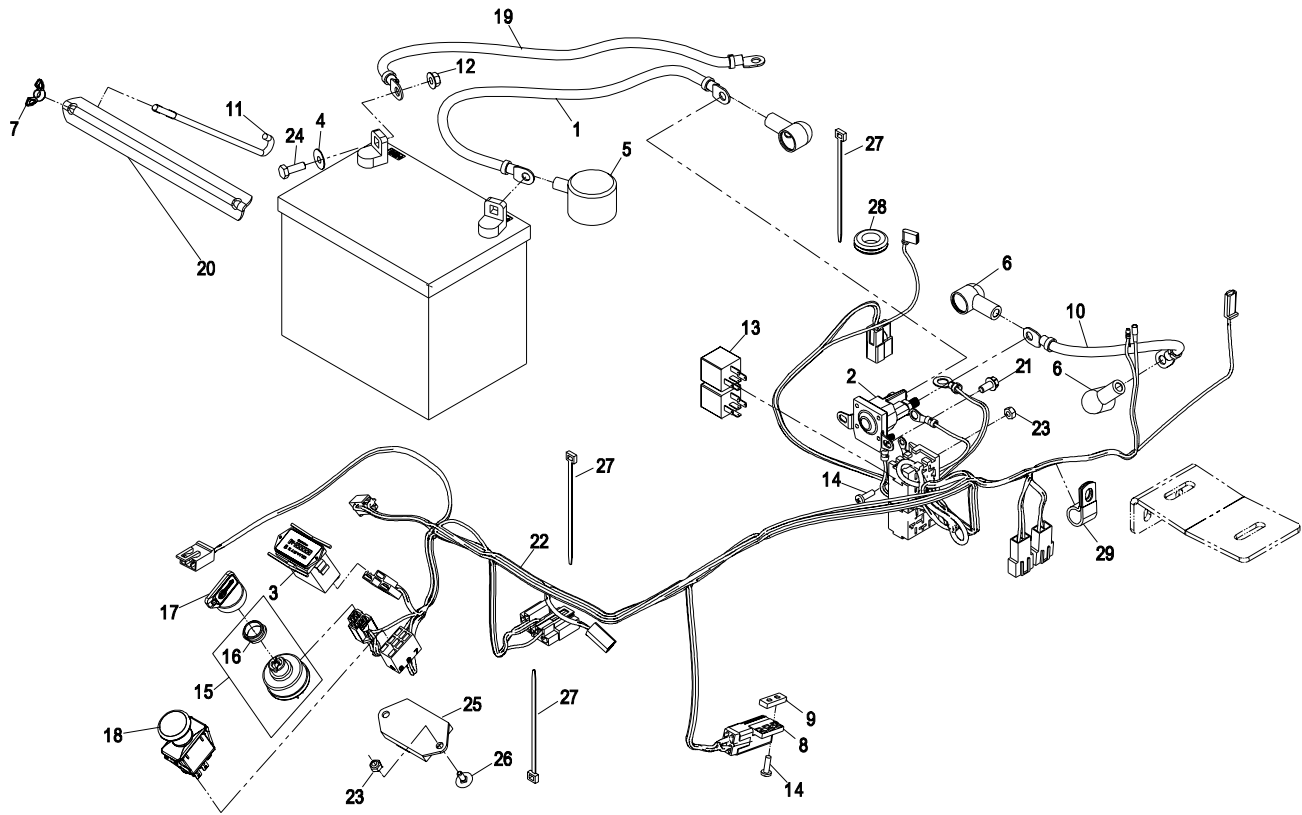
DECAL GROUP



Item	Part No.	Description	Qty.
1	109-2494	Decal, Console.....	1
2	109-2539	Decal, Relay	1
3	109-2356	Decal, Motion Control.....	2
4	109-2490	Decal, Danger Slope	1
5	103-1077	Decal, Bolt Torque	1
6	109-2463	Decal, Deck Height	1
7	109-2467	Decal, Zt Dump	2
8	1-513748	Decal, Guard.....	1
9	93-8069	Decal, Hot Surface	1
10	109-2992	Decal, Belt Routing	1
11	1-303508	Decal, Warning Cover	1

Item	Part No.	Description	Qty.
12	1-403005	Decal, Danger.....	2
13	109-2465	Decal, Belt Routing 34/44	1
14	1-303520	Decal, Trivantage.....	1
15	98-5954	Decal, Missing Cover	4
16	109-2462	Decal, Commercial 34.....	1
17	109-2862	Decal, Rotating Devices.....	1
18	116-0950	Decal, Service Aid	1
19	109-2466	Decal, Phazer	1
20	103-3999	Decal, Exmark Logo.....	1
21	1-513747	Decal, Battery	1
	109-3530	Decal Kit	

ELECTRICAL GROUP

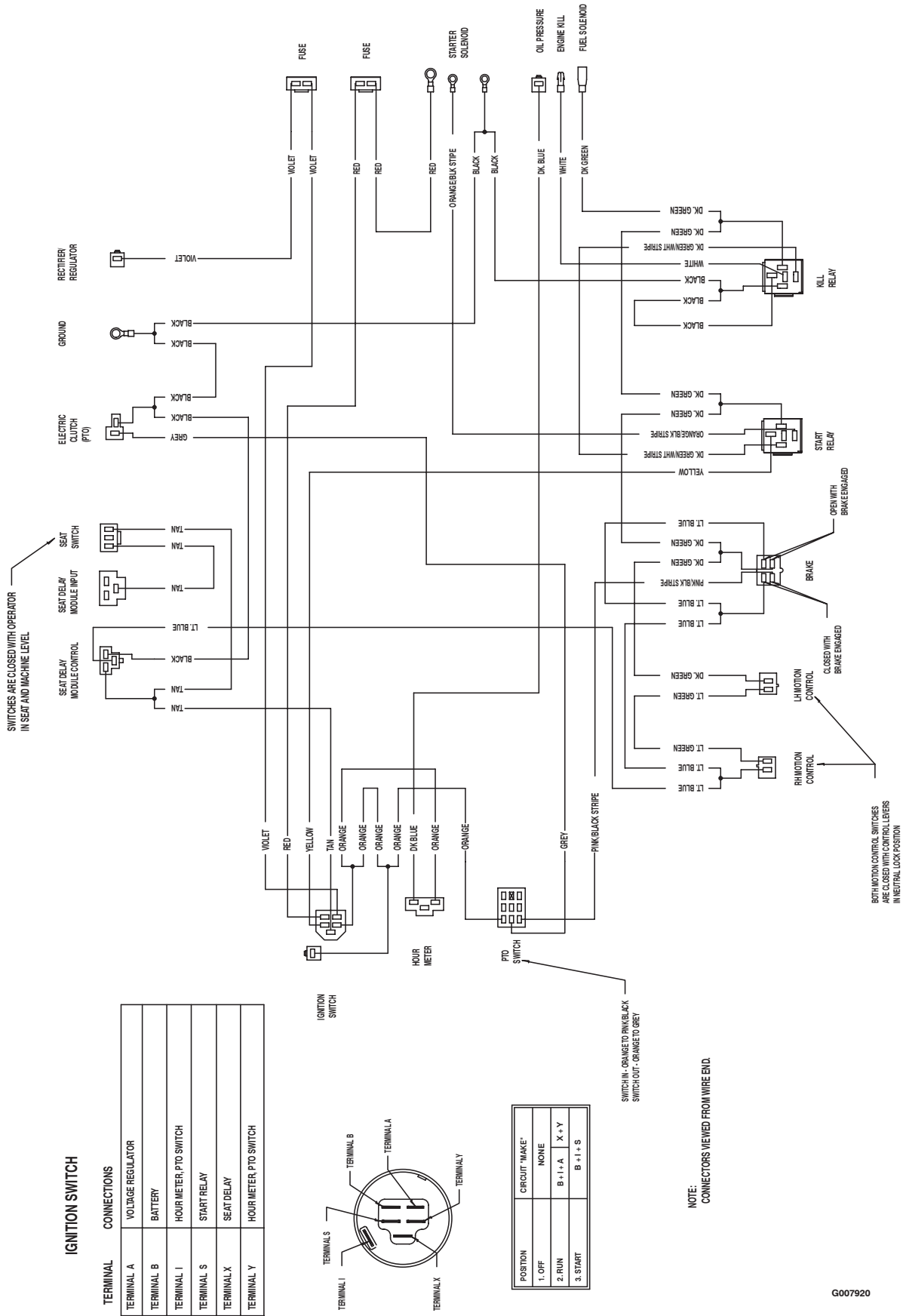


Item	Part No.	Description	Qty.
1	109-7653	Wire, Battery Positive (+) W/Caps	1
2	1-513075	Solenoid, Plastic	1
3	1-513374	Meter, Engine Hours	1
4	3256-2	Washer	2
5	109-2407	Insulator, Battery	1
6	1-543393	Insulator, Solenoid	3
7	1-543792	Wingnut, Nyloc 1/4-20	2
8	1-633111	Switch	1
9	1-633181	Plate, Tapped	1
10	109-7620	Cable, Battery W/Caps	1
11	1-633651	Bolt, Hold Down	2
12	32128-33	Nut, Whizlock 1/4-20	2
13	1-643275	Relay, 12VDC 40 Amp	2
14	3290-500	Screw, PPH #10-24 x 5/8	4
15	109-4736	Asm, Switch W/Nut	1

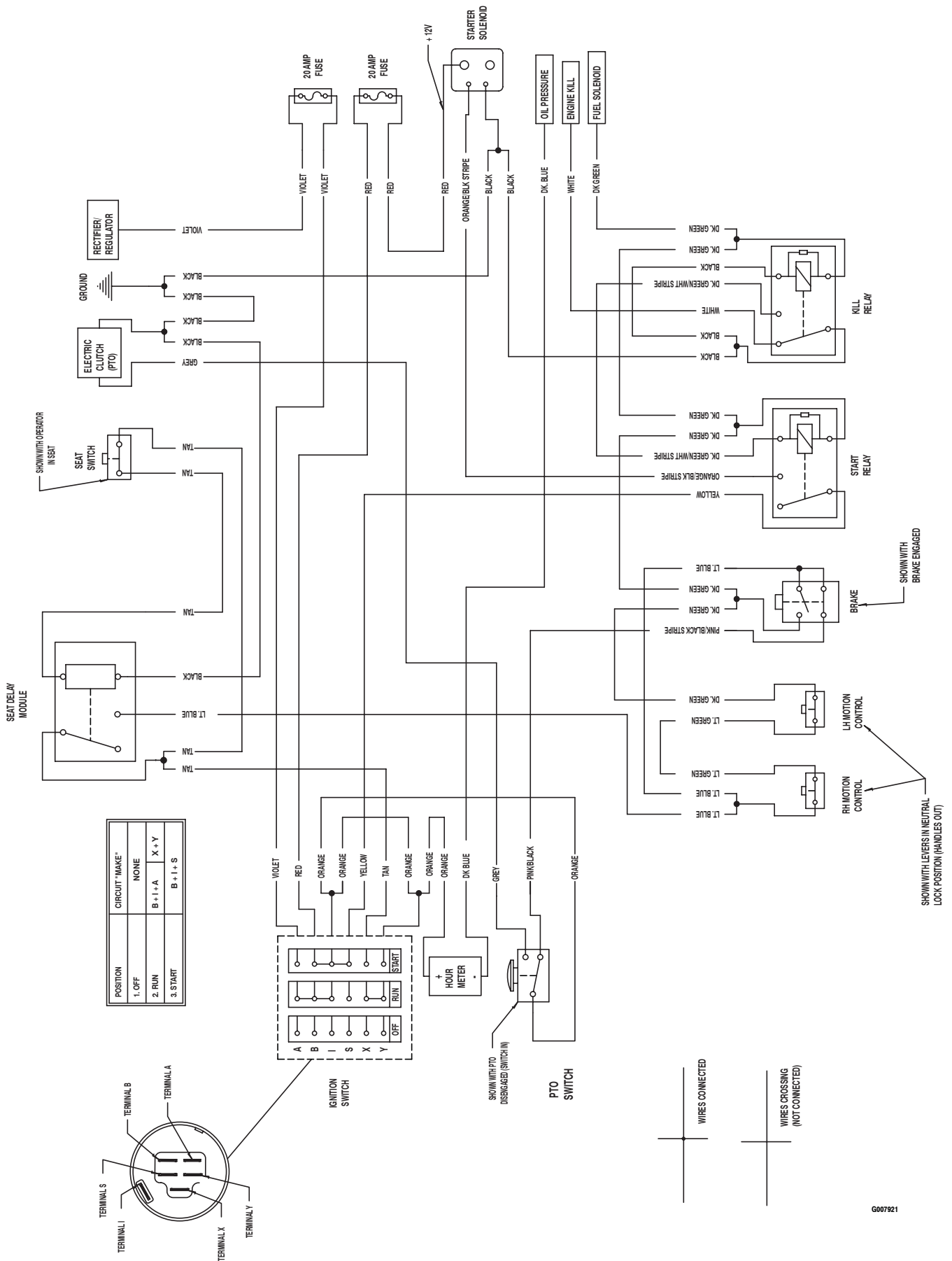
Item	Part No.	Description	Qty.
16	103-0498	Nut, Ignition	1
17	103-2106	Key, Exmark Logo	1
	1-603511	Key, Ignition	1
18	103-5221	Switch, PTO	1
19	103-8355	Cable, Ground(-)	1
20	103-9944-03	Strap, Battery	1
21	32144-4	Screw, HWH 1/2-20 x 1/2 Taptite	2
22◆	109-4112	Harness, Wiring	1
23	3296-2	Nut, Nyloc #10-24	3
24	321-4	Screw, HH 1/4-20 x 3/4	2
25	100-6186	Module, Seat Delay	1
26	1-807513	Bolt, Carriage #10-24 x 1/2	1
27	1-303335	Tie, Plastic	3
28	1-543286	Grommet	1
29	1-603727	Clip, Loom	1

◆ Use dielectric grease on all wiring harness connectors
Exmark black touch up spray paint – gloss black.

ELECTRICAL DIAGRAM



ELECTRICAL SCHEMATIC

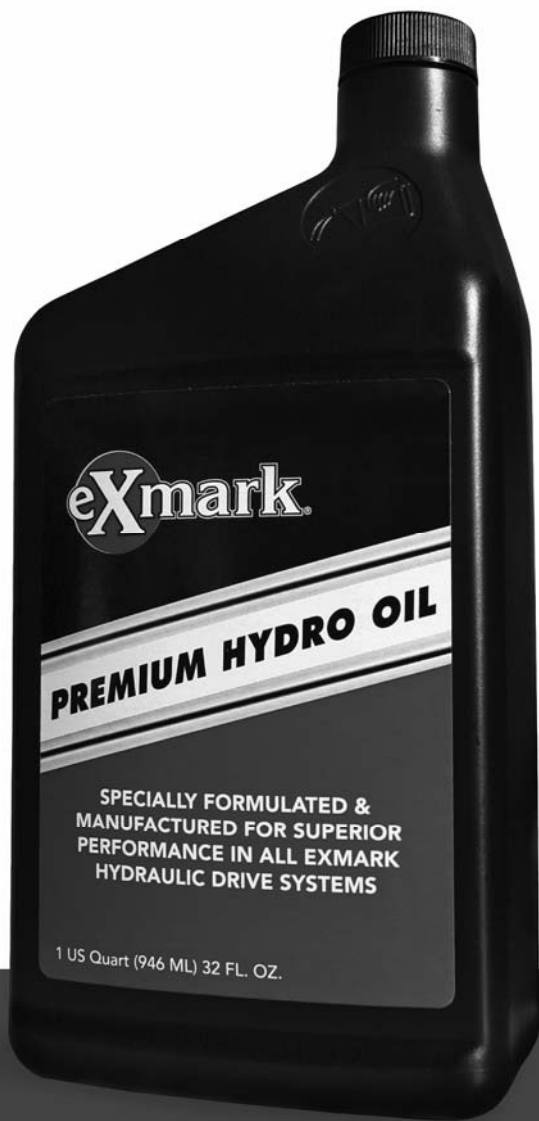


G007921

SERVICE RECORD

Date	Description of Work Done	Service Done By

NEW EXMARK PREMIUM HYDRO OIL



BENEFITS

- Designed & manufactured with superior anti-wear protection
- Superior thermal stability
- Consistent hydro performance
- Superior shear resistance under heavy loads
- Field tested & proven performance
- Twice the shear stability of competing oils
- Enhanced control performance
- Specially formulated for any Exmark hydraulic system

**NOW AVAILABLE
FOR PURCHASE**

Part No. 109-9828



SEE EXMARK'S COMPLETE LINE OF ACCESSORIES

MID-MOUNT RIDING ACCESSORIES

CUSTOM RIDE SEAT SUSPENSION SYSTEM	OPERATOR CONTROLLED DISCHARGE
FULL SUSPENSION SEAT	ROLL OVER PROTECTION SYSTEM (ROPS)
DECK LIFT ASSIST KIT	SUN SHADE
HITCH KIT	TRASH CONTAINER
LIGHT KIT	TURF STRIPER
12V POWER PORT	ULTRA VAC COLLECTION SYSTEM
MICRO-MULCH SYSTEM	ULTRA VAC QUICK DISPOSAL SYSTEM

OUT-FRONT RIDING ACCESSORIES

CUSTOM RIDE SEAT SUSPENSION SYSTEM	SNOW BLADE
DUAL-TAIL WHEEL	SNOWBLOWER
FLOOR PAN EXTENDER	SUN SHADE
HITCH KIT	TRASH CONTAINER
LIGHT KIT	ULTRA VAC COLLECTION SYSTEM
MICRO-MULCH SYSTEM	ULTRA VAC QUICK DISPOSAL SYSTEM
ROLL OVER PROTECTION SYSTEM (ROPS)	WEATHER CAB

WALK-BEHIND ACCESSORIES

GRASS CATCHER	TURF STRIPER
MICRO-MULCH SYSTEM	STANDON

Place Model No. and Serial No.
Label Here (Included in the Literature
Pack or Fill in Below)

Model No. _____

Serial No. _____

Date Purchased _____

Engine Model No. and Spec. No. _____

Engine Serial No. (E/No) _____

© 2009 Exmark Mfg. Co., Inc.
Industrial Park Box 808
Beatrice, NE 68310
All Rights Reserved

Part No. 4500-461 Rev. A
(402) 223-6300
Fax (402) 223-5489
Printed In USA.



www.exmark.com